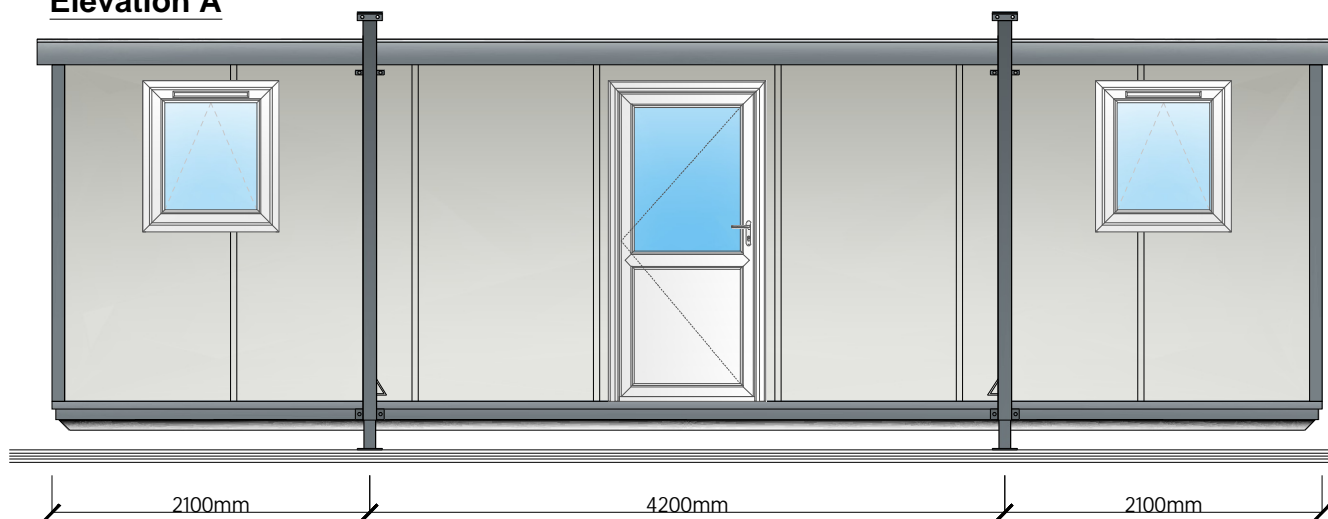
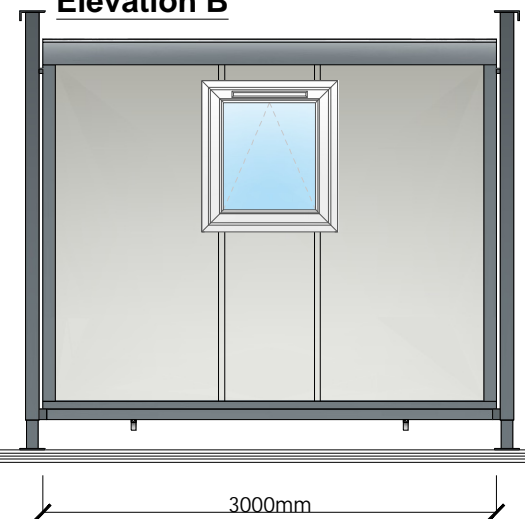


Elevation A

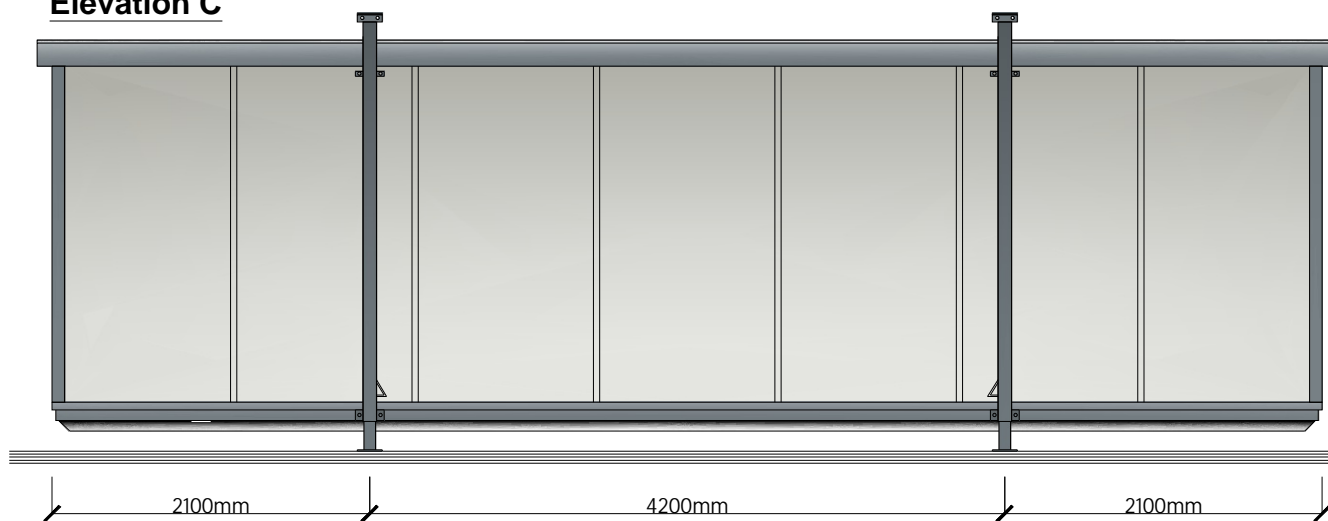


Elevation B

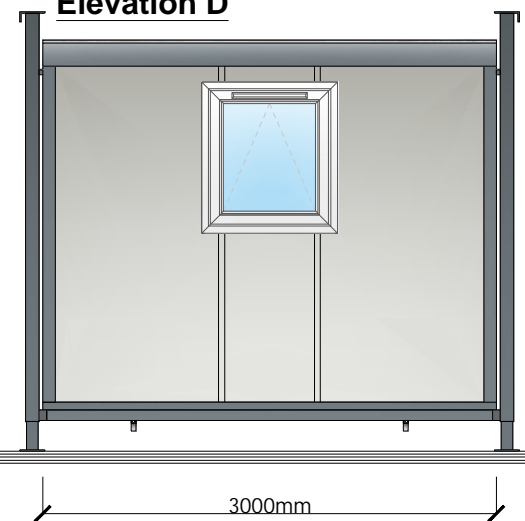


2225mm

Elevation C



Elevation D



2225mm

REV	DATE	DESCRIPTION	By



Project			
28' x 10' A Cabin (8.4m x 3m)			
Drawing			
Elevations			
Drawn By	Date		
B.W	11/10/24		
Checked By	Sheet	Scale	
	A3	1:50	
Drawing Number	Rev	Stock Reference	

This drawing is to be read in conjunction with all related drawings. Do not scale from this drawing. All dimensions must be checked and verified on site before commencing any work or producing shop drawings. The originator should be notified immediately of any discrepancy. This drawing is copyright and remains the property of New Cabin Space Ltd.