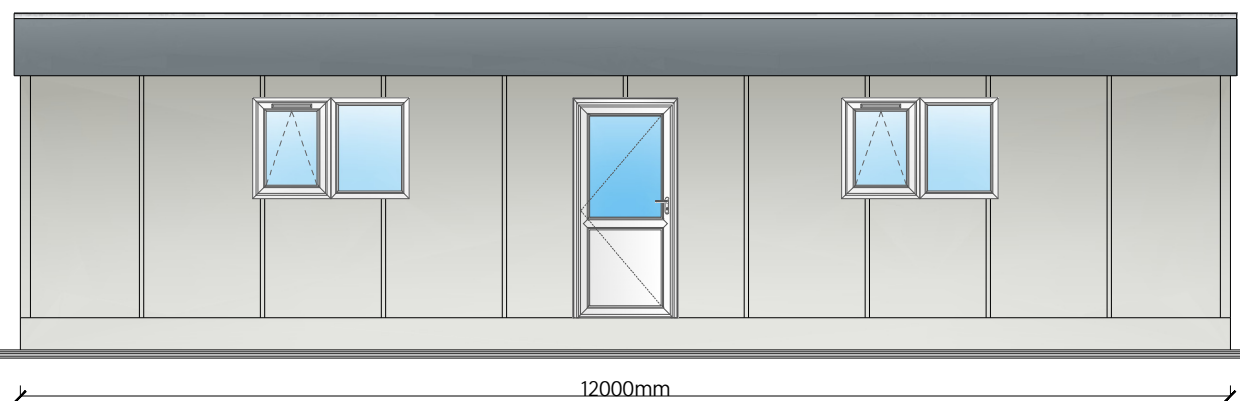
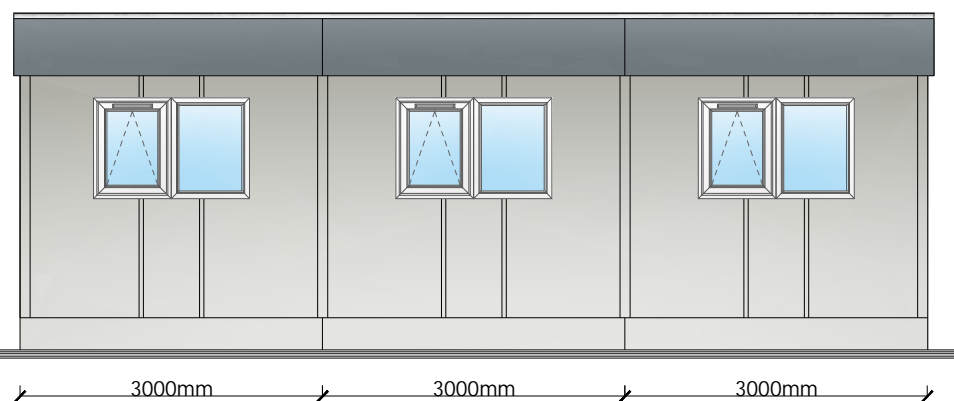


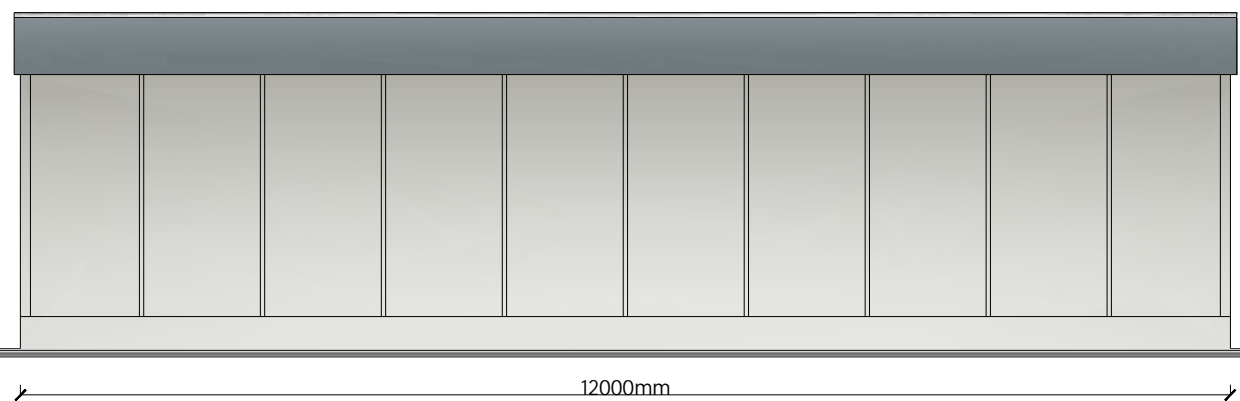
Elevation A



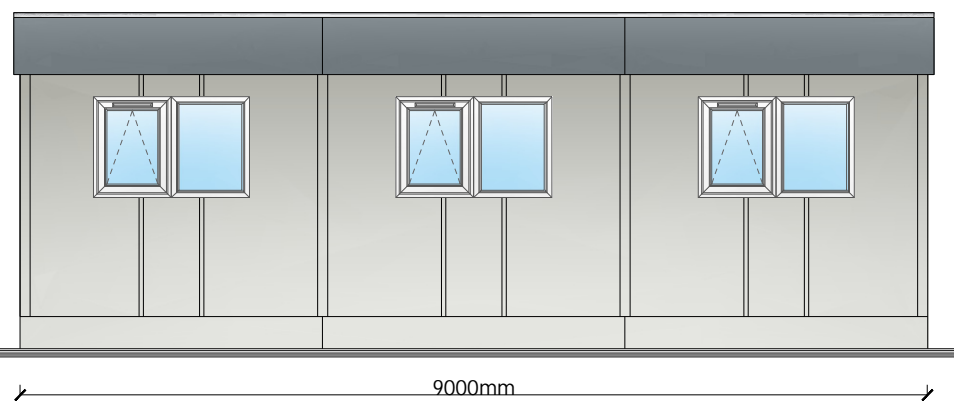
Elevation B



Elevation C



Elevation D



| REV | DATE | DESCRIPTION | By |
|-----|------|-------------|----|
| | | | |
| | | | |
| | | | |



| | | | |
|-----------------|--------|------------------|-------------|
| Project: | | 3 Bay (12m x 3m) | |
| Drawing: | | Elevations | |
| Drawn By: | Date: | 18/09/24 | |
| Checked By: | Sheet: | A3 | Scale: 1:75 |
| Drawing Number: | Rev: | Stock Reference: | |

This drawing is to be read in conjunction with all related drawings. Do not scale from this drawing. All dimensions must be checked and verified on site before commencing any work or producing shop drawings. The originator should be notified immediately of any discrepancy. This drawing is copyright and remains the property of New Cabin Space Ltd.